

Palladian/Newtown Multi-Point Trim - Euro Profile Cylinder

*Multi-Point Trim is Made-to-Order

71001	Palladian European Profile Cylinder Multi Point Active Function
71002	Palladian European Profile Cylinder Multi Point Full Dummy
71003	Palladian European Profile Cylinder Multi Point Multi Point Passage Function
71004	Palladian European Profile Cylinder Multi Point Multi Point Patio Function
71005	Palladian European Profile Cylinder Multi Point Multi Point Fixed Exterior/Active Interior

Von Morris Arch/Palladian Multi-Point lock trim is Custom Made to Order. Your trim will be crafted to the door specifications/details/measurements you provide.

In classic Von Morris style, paying exacting attention to detail, all Von Morris Escutcheon Plates may be modified to fit a multitude of Multi-Point locks in either Euro Profile Cylinder or American Cylinder.

The Von Morris American Cylinder Multi-Point trim is different from other manufacturers. Von Morris has redesigned every aspect of the Multi-Point Trim, including the American Cylinder Mounting Blocks. Instead of one generic block mounted to all styles, each suite gets its own unique suited block. For Euro Profile Cylinder trims, the turnpiece mounted to the Profile Cylinder is the same design as the trim.

Von Morris is the only mainline manufacturer to stay true to its suited line, offering the same attention to detail that is available in every Knob, Lever, Rose and Escutcheon Plate. This allows you to complete a full hardware schedule with the same style, detail, quality, and value for which the Von Morris product has come to be known.

Shown with Small Turned Lever

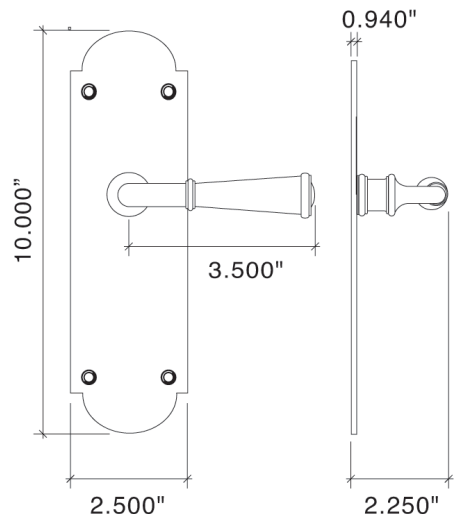


Euro Profile Cylinder Exterior

Euro Profile Cylinder Interior

- Solid forged brass with Turned Lever and Arch Plate.
- Classic design.
- Adaptor for American cylinder block has the same detailing as rest of the Arch Plate.
- Turn pieces for both American cylinder and European Profile cylinder share the same detailing as rest of Arch suite.
- Palladian Multi-Point Trim is also available with Traditional, Wave, Rat Tail, Curved and Leaf Levers.
- Plate thickness will vary depending upon the application and door thickness.

Additional Lever Options



Shown with Small Turned Lever