

## Moorestown Multi-Point Trim w Small Lever - American Cylinder

\*Multi-Point Trim is Made-to-Order

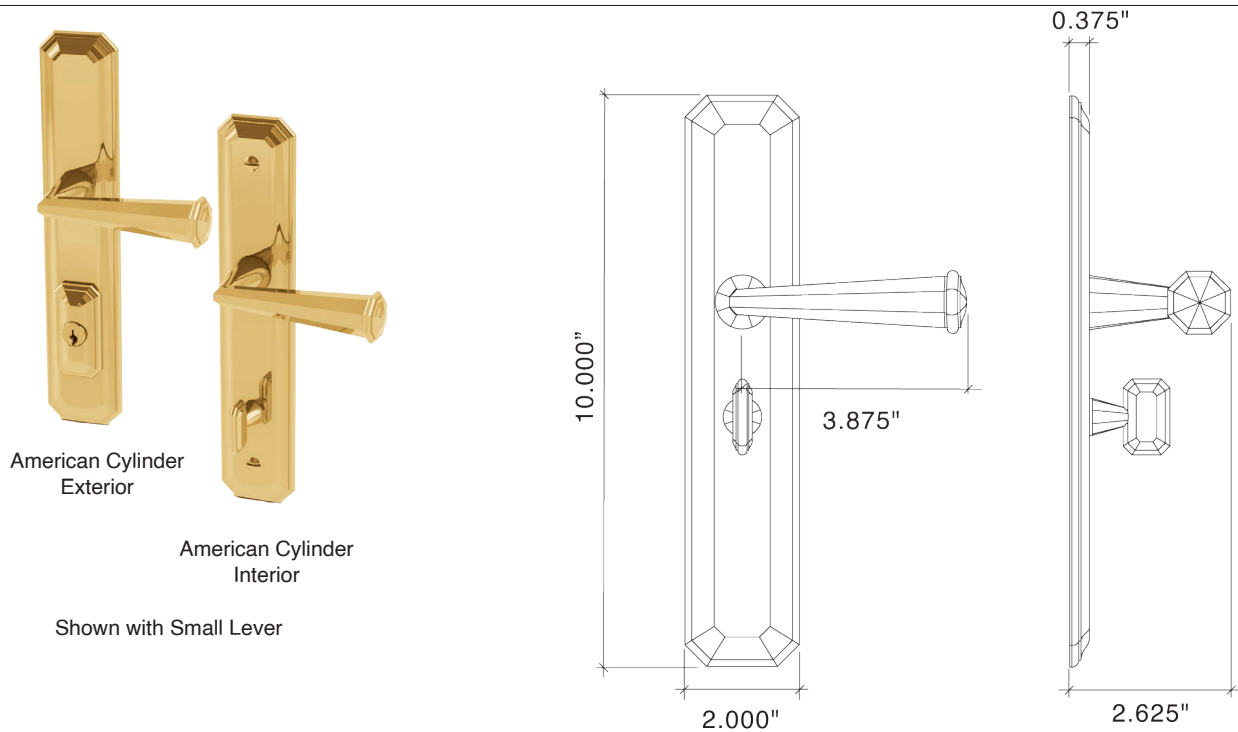
72901 Moorestown American Cylinder Multi Point w/Small Lever Active Function

72902 Moorestown American Cylinder Multi Point w/Small Lever Full Dummy

72903 Moorestown American Cylinder Multi Point w/Small Lever Passage Function

72904 Moorestown American Cylinder Multi Point w/Small Lever Patio Function

72905 Moorestown American Cylinder Multi Point w/Small Lever Fixed Exterior/Active Interior



Von Morris Moorestown Multi-Point lock trim is Custom Made-to-Order. Your trim will be crafted to the door specifications/details/measurements you provide.

In classic Von Morris style, paying exacting attention to detail, all Von Morris Escutcheon Plates may be modified to fit a multitude of Multi-Point locks in either Euro Profile Cylinder or American Cylinder.

The Von Morris American Cylinder Multi-Point trim is different from other manufacturers. Von Morris has redesigned every aspect of the Multi-Point Trim, including the American Cylinder Mounting Blocks. Instead of one generic block mounted to all styles, each suite gets its own unique suited block. For Profile Cylinder trims, the turn piece mounted to the Profile Cylinder is the same design as the trim.

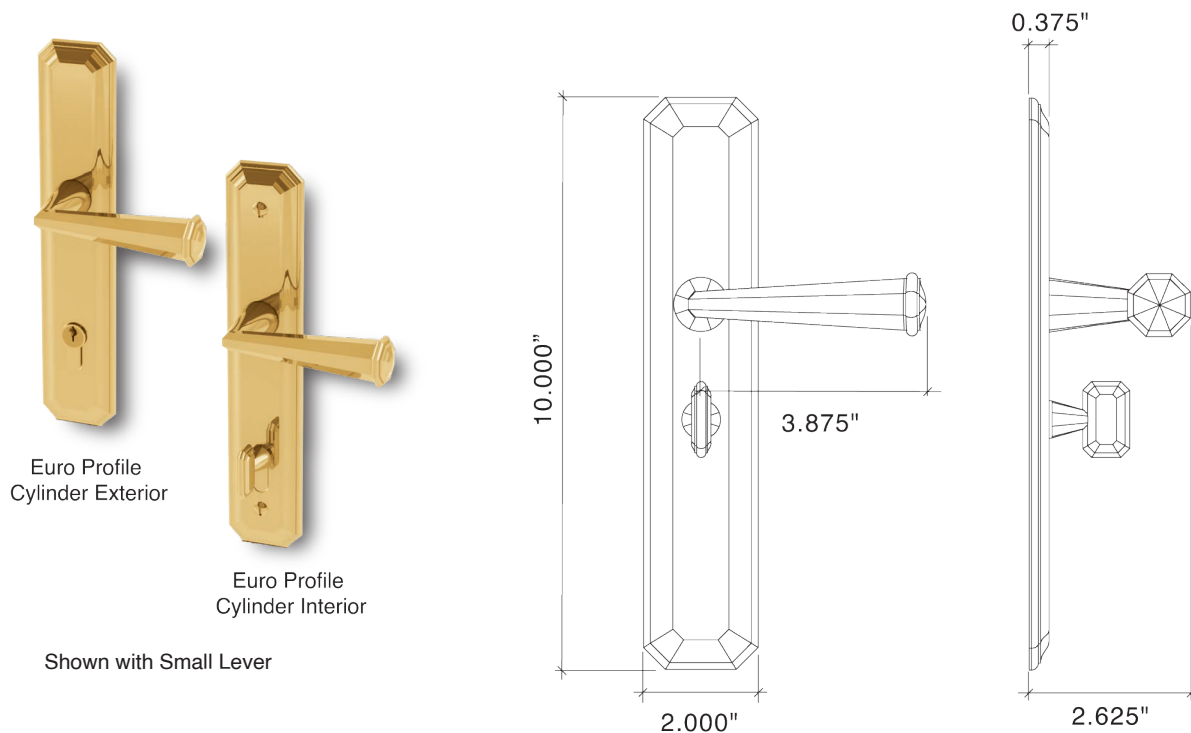
Von Morris is the only mainline manufacturer to stay true to its suited line, offering the same attention to detail that is available in every Knob, Lever, Rose and Escutcheon Plate. This allows you to complete a full hardware schedule with the same style, detail, quality, and value for which the Von Morris product has come to be known.

- Adaptor for American cylinder block has the same detailing as rest of Moorestown suite.
- Turnpieces for both American cylinder and European Profile cylinder share the same detailing as rest of Moorestown suite

## Moorestown Multi-Point Trim w Large Lever - American Cylinder

\*Multi-Point Trim is Made-to-Order

72901C	Moorestown American Cylinder Multi Point w/Large Lever Active Function
72902C	Moorestown American Cylinder Multi Point w/Large Lever Full Dummy
72903C	Moorestown American Cylinder Multi Point w/Large Lever Passage Function
72904C	Moorestown American Cylinder Multi Point w/Large Lever Patio Function
72905C	Moorestown American Cylinder Multi Point w/Large Lever Fixed Exterior/Active Interior



Von Morris Moorestown Multi-Point lock trim is Custom Made-to-Order. Your trim will be crafted to the door specifications/details/measurements you provide.

In classic Von Morris style, paying exacting attention to detail, all Von Morris Escutcheon Plates may be modified to fit a multitude of Multi-Point locks in either Euro Profile Cylinder or American Cylinder.

The Von Morris American Cylinder Multi-Point trim is different from other manufacturers. Von Morris has redesigned every aspect of the Multi-Point Trim, including the American Cylinder Mounting Blocks. Instead of one generic block mounted to all styles, each suite gets its own unique suited block. For Profile Cylinder trims, the turn piece mounted to the Profile Cylinder is the same design as the trim.

Von Morris is the only mainline manufacturer to stay true to its suited line, offering the same attention to detail that is available in every Knob, Lever, Rose and Escutcheon Plate. This allows you to complete a full hardware schedule with the same style, detail, quality, and value for which the Von Morris product has come to be known.

- Adaptor for American cylinder block has the same detailing as rest of Moorestown suite.
- Turnpieces for both American cylinder and European Profile cylinder share the same detailing as rest of Moorestown suite